

Vaetrix DTG series utilizes the latest digital technology to accurately solve pressure measurement applications. All MEMS pressure sensors are fully temperature compensated throughout the operating range. The easy to use interface and intuitive menu structure is the best in the industry. There are no encrypted symbols or abbreviations, just press the arrow keys to navigate the menu and select your choice. We take pride in manufacturing and designing products in the USA and have over thirty years of experience producing process instrumentation. Performance and reliability is backed by a four-year warranty.



- Assembled in a rugged IP67 Case for long term testing with viewing window
- 0.05%, 0.1%, or 0.25% full scale accuracy over operating temperature
- High and low alarm settings with icon and red backlight indication using the tricolor graphics display
- Dedicated interface for leak test, min/max, and timed test function
- Multi-session data logging capability (up to 64,000 samples with date, time, and pressure)
- USB communications and Bluetooth option for Android and Apple
- New – Ambient Temperature Measurement Capability Option
- Optional Vaetrix Live monitoring software for real time readings through USB

Includes: quick start guide, batteries, NIST cert with data, and basic data-logging.



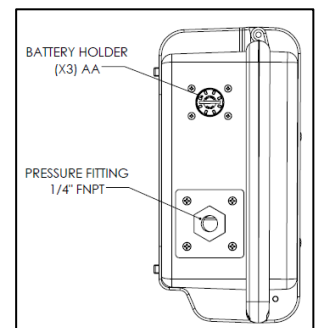
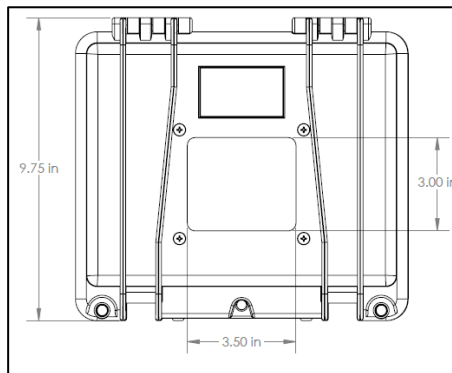
Range Options (0.05%)	-15 to 15, -15 to 30 (Compound-Gas Only) 15, 30, 100, 300, 500, 1K, 3K, 5K, 10K (Isolated – Gas & Liquids)
Range Options (0.1% & 0.25%)	±5, 30, 100, 300, 500, 1K, 2K, 3K, 5K, 10K, 14.5K, 20K, 30K (Isolated – Gas & Liquids)  All values referenced in PSI. Consult factory for additional range options. 20K and above require autoclave fittings.

Parameter	Specifications (Consult Manual for Complete Details)	
<b>Pressure Accuracy</b>	±0.05%, ±0.1%, or ±0.25% of Full Scale <i>Includes all effects of temperature and stability based on one year</i>	
<b>Vacuum Accuracy</b>	±0.25% Full Scale <i>Applies to ranges 500 PSI and below with an isolated sensor</i>	
<b>Barometric Accuracy</b>	±0.35% Full Scale <i>Full Scale value = 35.42" Hg or 17.4 psia</i>	
<b>Temperature Accuracy</b>	±1.0°F or ±1.0°C <i>Resolution XXX.X over compensated operating range</i>	
<b>Units</b>	PSI, BAR, MBAR, KGCM2, MSW, FTSW, INHG, MMHG, KPA, MPA, TORR, INH2O@4°C, INH2O@20°C, INH2O@60°F, CMH2O@4°C, CMH2O@20°C, MMH2O@4°C, MMH2O@20°C, FTH2O@20°C, FTH2O@60°F, CUSTOM	
<b>Power</b>	3 AA Alkaline Batteries (LR6), USB Power (Micro B) Panel Mounted <i>1200+ Hours of typical use with low battery indication at 3.7 volts</i>	
<b>Temperature</b>	14°F to 122°F (-10°C to 50°C) <i>Compensated operating range</i>	-10°F to 150°F (-23°C to 65°C) <i>Storage (remove batteries over thirty days)</i>
<b>Display</b>	Tri-color graphics 240 x 120 – Real true type font with 0.6" digits	
<b>Connection</b>	¼" FNPT – 316 Stainless Steel with backer plate (14.5K PSI and Under)	
<b>Enclosure</b>	9.75" x 10.7" x 4.8" - Rated at IP67 with lid closed.	

### Part Number Configurator: Ordering Information

<b>Model</b>	-	<b>Range</b>	-	<b>Sensor Type</b>	-	<b>Accuracy</b>	-	<b>Options</b>
DTG = Case Mounted		PSI Value		C = Compound I = Isolated		05 = 0.05% FS 10 = 0.1% FS 25 = 0.25% FS		BT = Bluetooth (Apple and Android) TP = Temperature Reference Option

Accessories
WC00102 – 6ft USB to Micro B Cable (Right Angle)
AS00101 – Hydro Data Management Software
WC00101 – Spare AC Adapter to Micro B



Phone: 888-797-3740 / Email: [sales@vaetrix.com](mailto:sales@vaetrix.com) / 143 Raymond Rd, Candia, NH 03034 USA